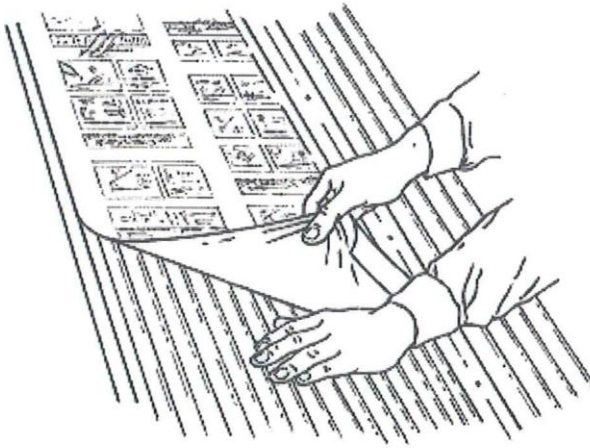


## The Ultimate Choice in Roofing.

### Installation Detailing

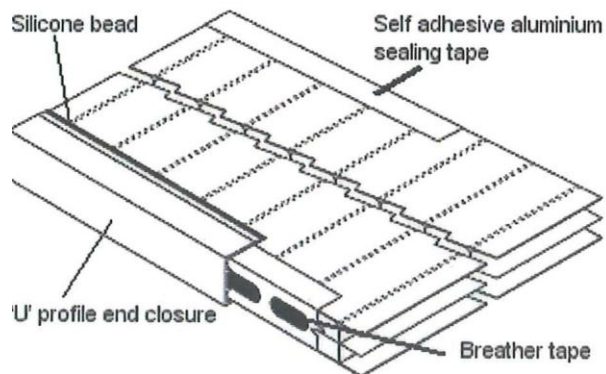


The UV protected surface of Marlon ST is covered at manufacture with a branded film. This should always be on the outside of the installation. A further plain film is applied to the inner surface.

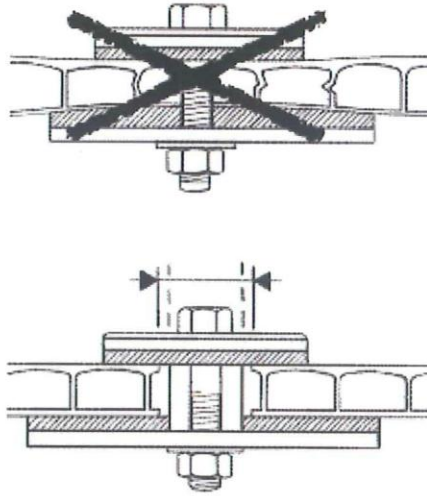
To install, the films should be peeled back about 50mm to allow clean sheet insertion into the glazing system and application of end tapes and closure.

Both films should be left in place for protection of the sheet until project hand over, particularly when there are following trades and then they can be removed. If the project is likely to take time to complete, regularly check that the film does not bond on to the sheet, particularly in sunny weather.

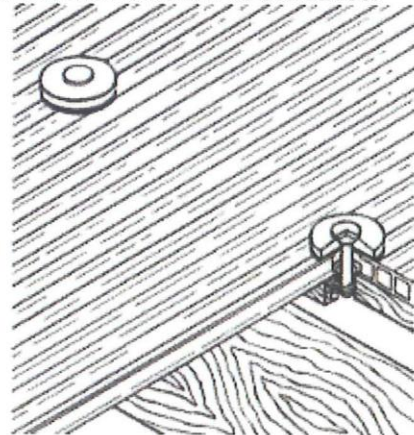
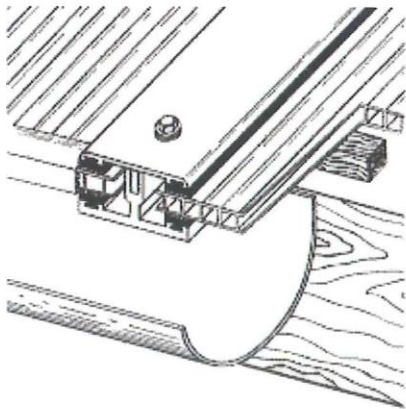
It is essential to prevent ingress of moisture, dust and insects by applying the appropriate tapes, closure and sealant.



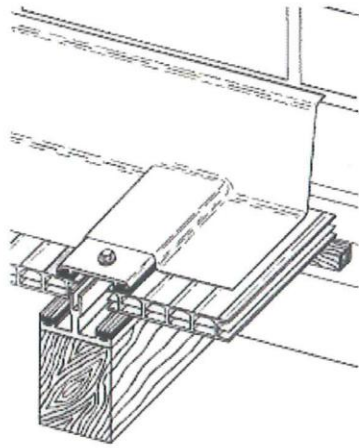
Sheets must not be fixed or clamped too tightly as this will prevent thermal expansion and contraction and will adversely affect the installation.



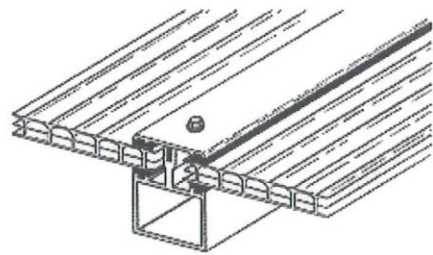
At the eaves purlin of the structure and generally when the structure is located in a windy area, additional fixing is necessary. Cladding buttons are used for this purpose. Drill a hole through the sheet at the appropriate position and screw down the cladding button until it can just be turned by hand. Do not over tighten. Holes for cladding buttons should be 18mm in diameter at the eaves.



The maximum overhang of the end of the sheet should be 50-60mm. This will ensure proper run off of rainwater into the gutter.

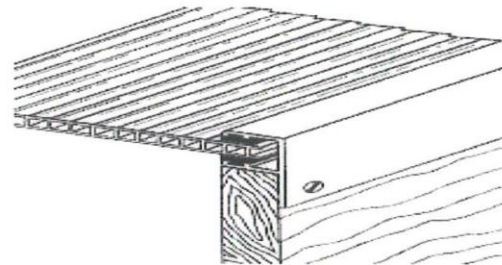
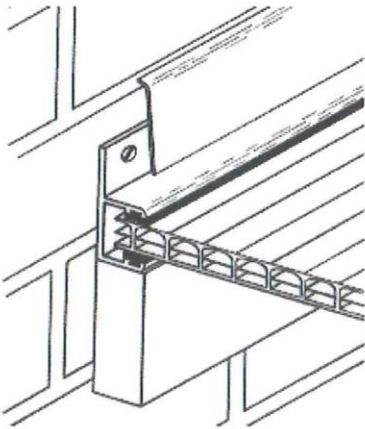


**Supported Glazing Bar System  
( Capping Bar )**



**Self Supporting  
Glazing Bar System**

**End Wall Abutment**



**Gable End Closure  
( F Profile )**