

---

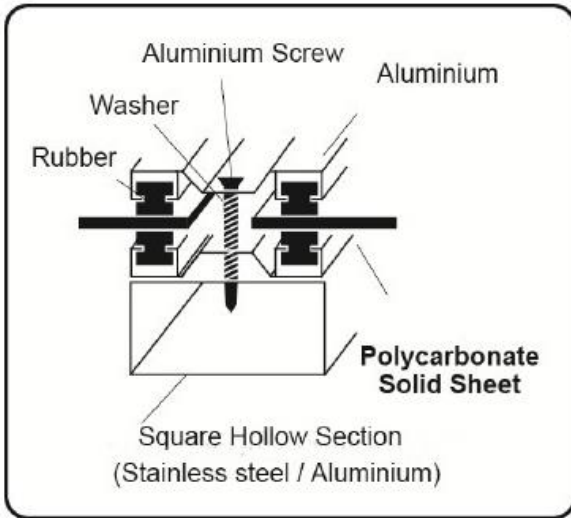
Bighands Building Supply Australia Pty Ltd  
60-68 Hampstead Road Auburn NSW 2144  
p: 1300 242 799  
e:info@bighandsbuildingsupplies.com.au  
w: bighandsbuildingsupplies.com.au

## Installation Guide

# Solid Polycarbonate



# Installation Guide

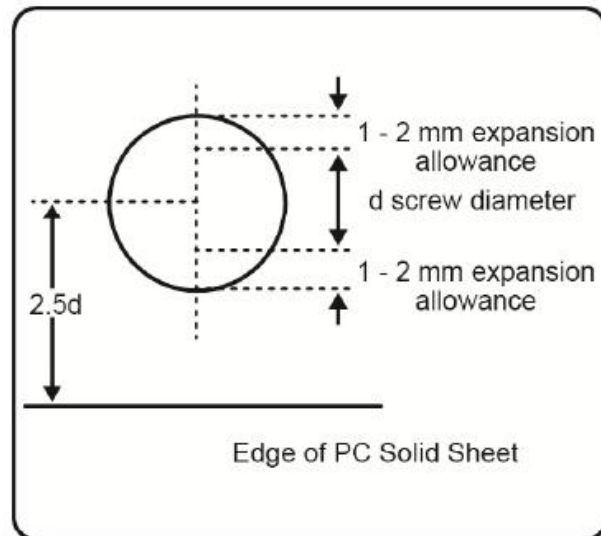
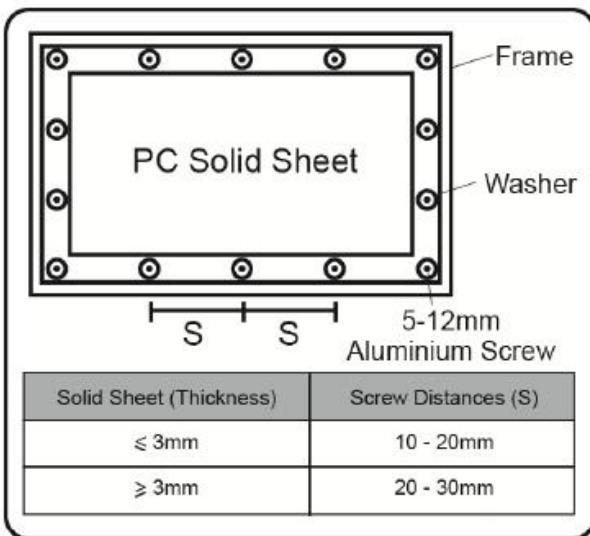
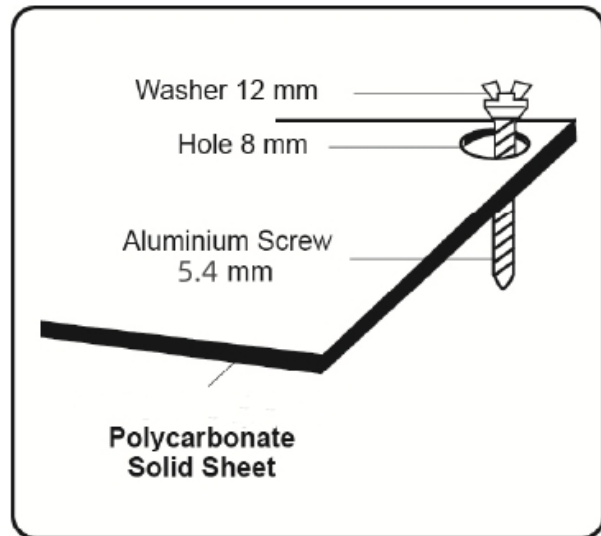


Make sure the support structure is clean and dry. Do not directly screw the sheet, only use aluminium clapping for joining. Must leave a gap of at least 5mm in between sheets for thermal expansion and contraction. A minimum slope of 5° roof pitch is recommended to allow adequate rain water run-off.

Screw Recommendation:  
1 of **SDS 12-14 35mm** screws/ meter

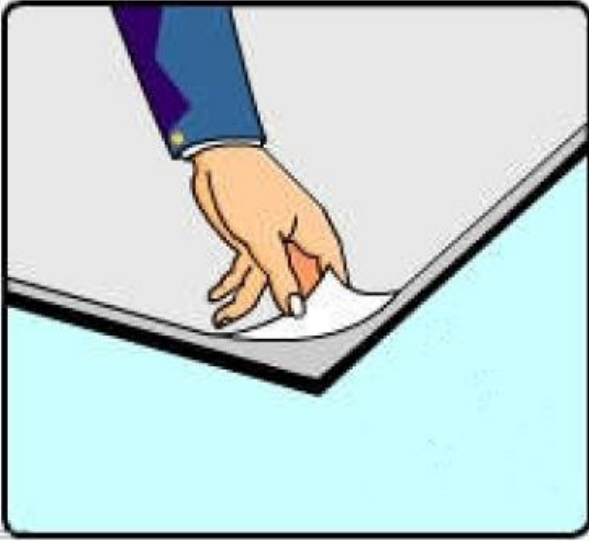
Use only new or sharp ground steel or carbide tipped drills. All holes must be drilled at least 40mm from the edge of the sheet. All holes must be at least 4mm bigger than screw for thermal expansion and contraction.

Screw Recommendation:  
1 of **SDS Washer 50mm**/ meter



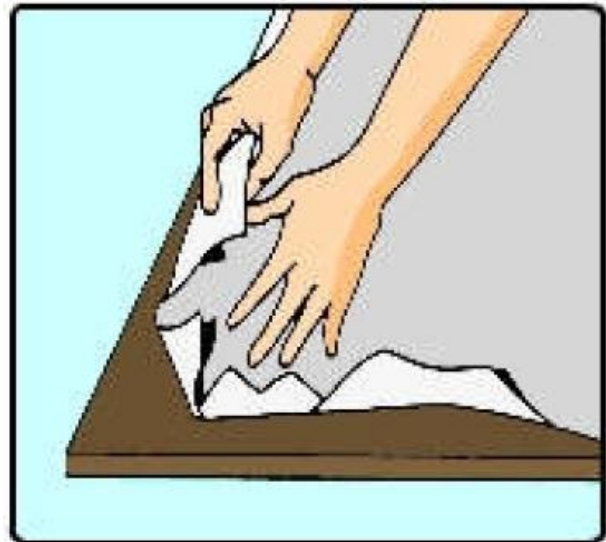
---

## Recommend Installation Method



Bighands Polycarbonate Solid Sheet's is produced with a protective PE film on both sides which should be kept on until the panel is fastened. The UV protected side is to be faced towards the sun and is marked with printed film.

To install, 50mm of protective film should be peeled off from the edges of the sheet to allow clean sheet insertion into the glazing system. The residual film should be removed immediately after the glazing is completed.



The residual film should be removed immediately after the glazing is completed.

---

## For Maintenance and Storage Guidelines

- **Storage Method**



Sheets should be kept indoor, protected from sunlight and rain fall by an appropriate opaque waterproof roof cover.

- **Cleaning Method**

Use only neutral detergent or mild soap for cleaning. Wash by using soft cloth or sponge. Rinse off with lukewarm water (below 60°C)

- **Use only neutral silicone for polycarbonate.**



Use circular saw blade for cutting Bighands Polycarbonate Solid Sheet.